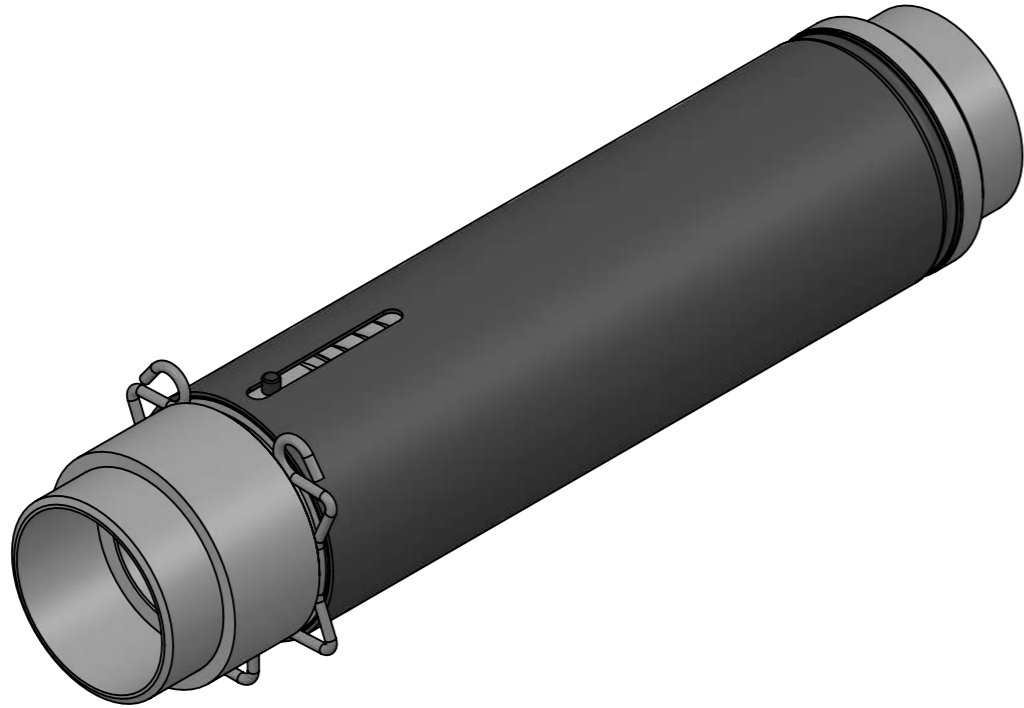
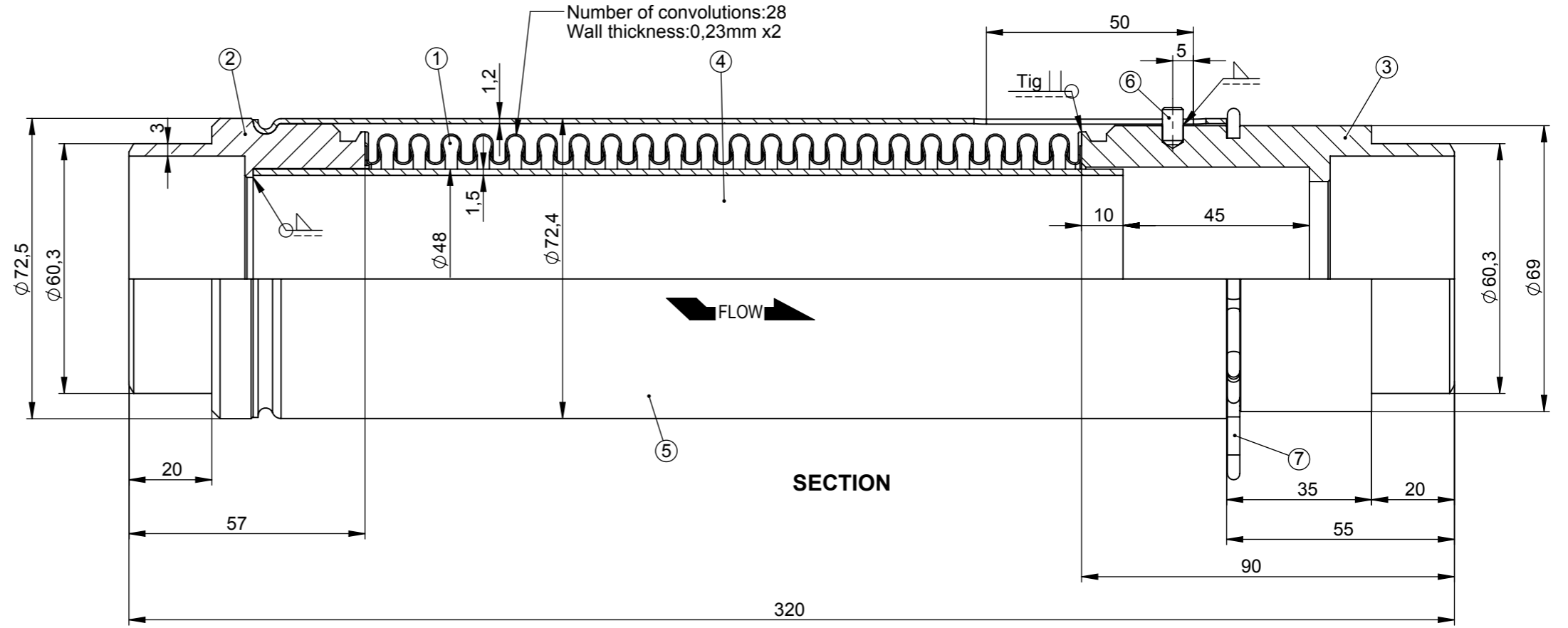
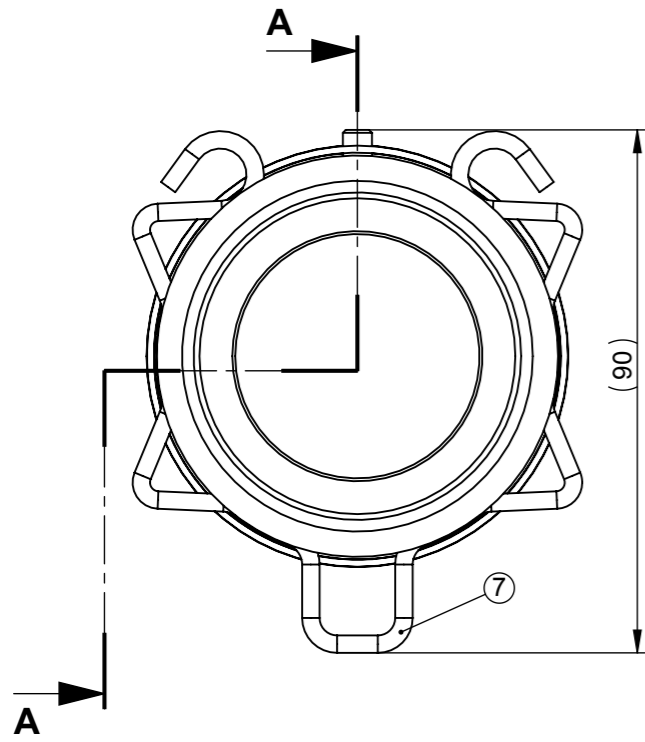


A
B
C
D
E
F



Pre-tension: 20mm.

No Item	Ad. Qty.	PARÇA ADI / Part name	MALZEME Material	ÖLÇÜ Size	RESİM NO Drawing No	AÇIKLAMA Explanations
7	1	SEGMENT	Spring steel wire		602020102020	Zn coated
6	1	PIN	9 SMn 36		602060401006	
5	1	OUTER SLEEVE	Aluminium		602060301010	
4	1	INNER SLEEVE	AISI 321		602060201010	
3	1	THREADED END (Long one)	9 SMn 36		602060202112	
2	1	THREADED END (Short one)	9 SMn 36		602060202212	
1	1	BELLOWS	AISI 321		A100021050	

		İsim / Name	Tarih / Date	İmza/Signature	Ölçek Scale
Çizen / Drawer		E.ÖZKAN	04.10.2017		
Kontrol / Control		R.DAŞTAN			
Onay / Approval		R.DAŞTAN			
Parça Adı / Part Name	PIPE TYPE EXPANSION JOINT WITH BUTT WELDING ENDS G2"				
Ürün Tipi / Product Type	-				
Müşteri Kodu / Customer Code	-	Malzeme Material	Miktar Qty.	Ağırlık Weight	Item No
Firma Resim No / Firm Drawing No	-	-	-	-	702.020.030.012
					CAD No
					-
					R00



Stainless steel	TSE EN ISO 9445
Pipe	TSE EN 10305/3 , 10305/4
Pipe bending	TSE EN 10219/2
Lenght	EN 14917
Flange	TS 818
Steel structures	EN 10025/1